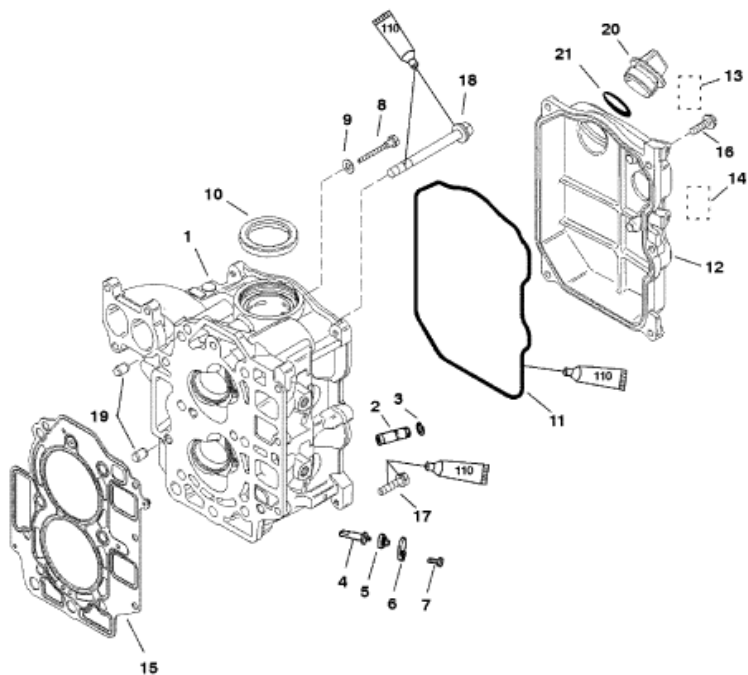


110 4-stroke Outboard Oil (92-828000A12)



CYLINDER HEAD

Parts List

Ref	Class	Part	Description	Qty	Comment	Footnote
-		830271T 3	CYLINDER HEAD	1	(ELECTRIC)	
-		830271T 4	CYLINDER HEAD	1	(MANUAL)	
1		830271T 2	CYLINDER HEAD	1		6
2		825037	GUIDE	4		6
3	53	825038	CIRCLIP	4		6
4		826887M	ANODE	2		6
5	25	825040	GROMMET	2		6
6		826888M	COVER	2		6
7	10	40011128	SCREW (M6 X 20)	2		6
8	10	827607	BOLT	1		6
9	27	827610	GASKET	1		6
10	26	825048	OIL SEAL	1		6,2
11	25	833103	O RING	1		6,2
12		830272A 1	COVER	1		6
13		NSS	DECAL-SERVICING REFERRA	1		6
14		NSS	DECAL-ENGINE OIL/VALVE C	1		6
15	27	830270	GASKET	1		2,5,6
16	10	40011128	SCREW (M6 X 20)	5		6
17	10	825009 25	SCREW (M6 X 25)	3		6
18	10	825033 95	SCREW (M9 X 1.5 X 95)	6		6
19	17	825010	DOWEL PIN	2		
20		859578A 1	PLUG	1		
21		NSS	O RING	1		2
-	61	854236T00	POWERHEAD	1		
-	27	830270A98	GASKET SET	1		